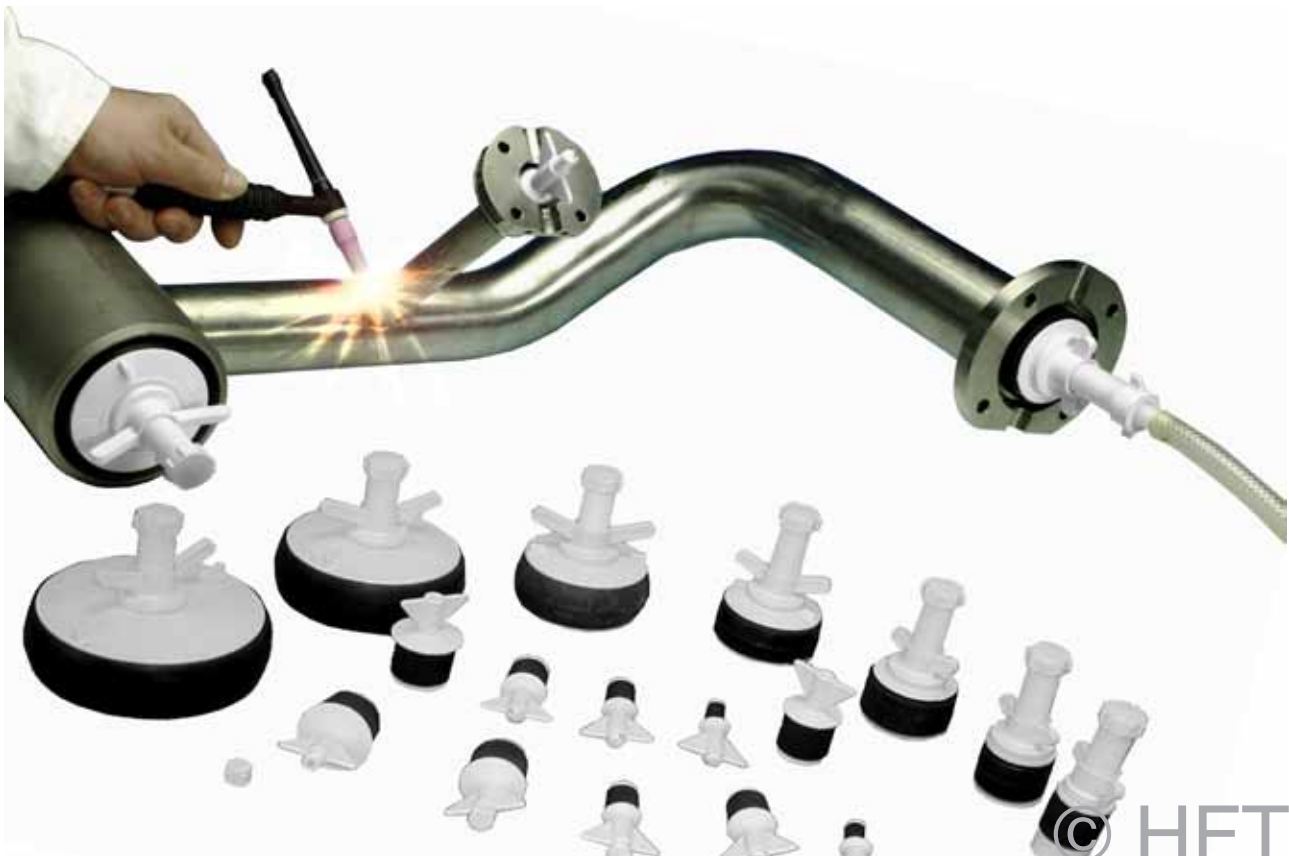


Nylon Pipe Purge Plugs™



for ORBITAL WELDING



PIPE PURGING SYSTEMS

When other purge systems or purge film cannot be used to make a suitable barrier for purging pipes, tubes or fittings, the Argweld® **Weld Purge Plugs™** may offer a satisfactory option.

The Weld Purge Plugs™ can be used for small or odd diameter pipes where purge system or dam systems may not be available or practical.

TYPICAL PURGING APPLICATIONS INCLUDE:

- Short, complicated, variable size assemblies where purging systems or dams would be too long or do not match the diameters being worked on.
- The expanding rubber seal allows the plugs to be used for weld purging oval and out of round tubes as well as in elbows, tees and other fittings.
- These plugs are also ideal for creating an air-tight seal for leak testing operations.

FEATURES:

- Made from engineering quality nylon up to 150 mm (6") diameter.
- Virtually shatter-proof.
- Easily cleaned.
- Will not rust or corrode.
- A friction-reducing acetal copolymer thrust washer inserted between the top plate and wing nut provides easy expansion and release.
- Larger sizes incorporate strengthening ribs to provide rigidity in use.
- Standard seals made from natural rubber with silicone and nitrile rubber alternatives.
- All plugs conform to British Standards BS 8005 for low pressure testing and sealing of pipes.

TECHNICAL INFORMATION:

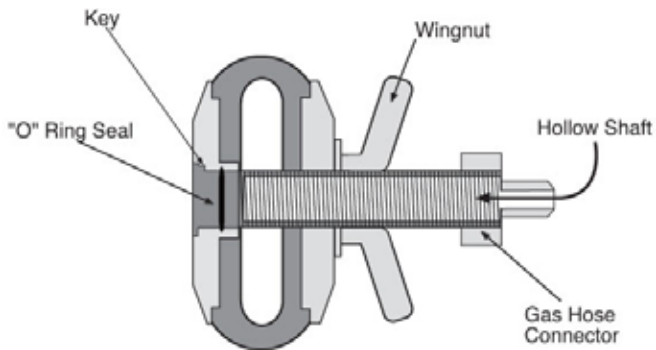
Increasing use of internal inert gas purging for process and hygienic stainless steel pipework has called for additional dams which help operators achieve an air tight seal.

The Argweld® **Weld Purge Plugs™** offer a useful alternative for small bore pipework. They can also be used for leak testing.

0.5", 0.75", 1", 1.25" and 1.5" plugs can be delivered with a solid stem or a hollow shaft.

The 0.5", 0.75", 1", 1.25" and 1.5" hollow shaft plugs have a 10 mm thread on the outside of the shaft.

The 1.5", 2", 2.5", 3", 3.5", 4", 4.5", 5" and 6" all have 0.5" BSP shaft.



ORBITAL WELDING KIT:

The purge plug kit for Orbital welding is specifically designed for the weld purging of stainless steel pipework.

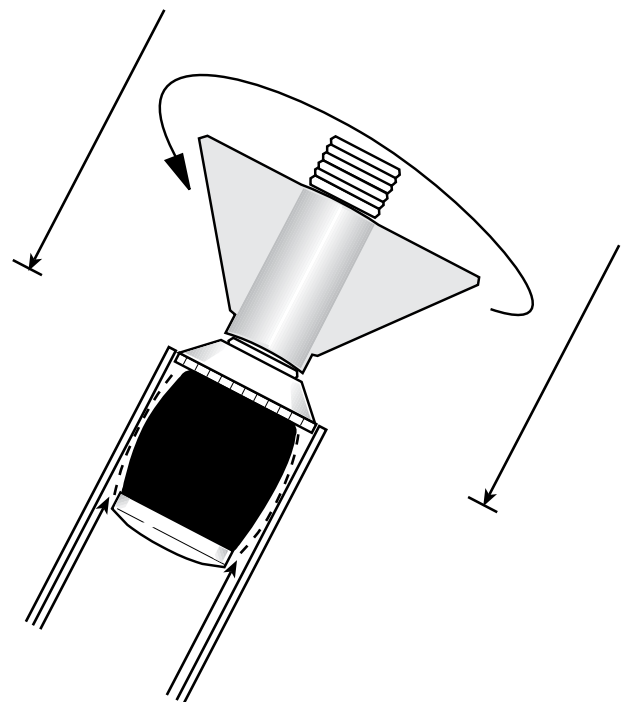
The kit contains two of each plug and ranges from ½" through to 4". Also included are four ½" BSP nipple caps and four ½" BSP swivel nut and hose tail.



ARGWELD® NYLON PURGE PLUG RANGE:

Size		Weight gms	Outside measurement			
Inch	mm		Unexpanded		Max. expansion	
			Inch	mm	Inch	mm
0.5	12.7	10	0.47	12	0.62	16
0.75	19.0	15	0.70	18	0.94	24
1.0	25.4	20	0.90	23	1.25	32
1.25	31.8	35	1.22	31	1.65	42
1.5	38.1	45	1.45	37	1.69	54
2.0	50.8	80	1.88	48	2.55	65
2.5	63.5	130	2.36	60	3.03	77
3.0	76.2	140	2.75	70	3.42	87
3.5	88.9	148	3.26	83	3.81	97
4.0	101.6	160	3.74	95	4.33	110
4.5	114.3	216	4.48	114	5.11	130
5.0	127.0	280	4.76	121	5.59	142
6.0	152.4	390	5.82	148	6.37	162

Note: Plugs are also available up to 36" (900 mm) diameter made from cast aluminium and available with 0.5", 1" and 2", (13 mm, 25 mm and 50 mm), BSP outlet. In addition plugs made of steel and inflatable plugs are available for up to 80" (2 meter) diameter.



**HUNTINGDON FUSION
TECHNIQUES ■ HFT**

Our Product Range:

- Argweld® Inflatable Pipe Weld Purge Systems
- Argweld® PurgEye® Weld Purge Monitors® (100 to 1000)
- Argweld® Water Soluble Weld Purge Film and Weld Purge Super Adhesive™
- Argweld® Weld Trailing Shields®
- Argweld® Weld Backing Tape™ & Weld Purge Tape™
- Argweld® Flexible Welding Enclosures®
- Argweld® Weld Purging Plugs™ & Orbital Welding Plugs
- Techweld® MultiStrike® Tungsten Electrodes
- HFT Pipestoppers® Pipe Plugs & Stoppers, Nylon, Aluminium & Steel
- HFT Pipestoppers® Inflatable Stoppers